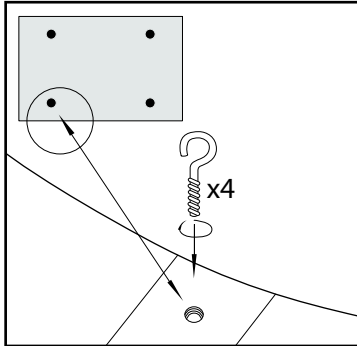
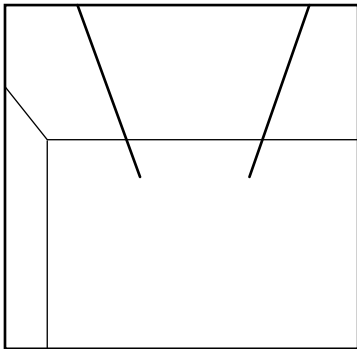
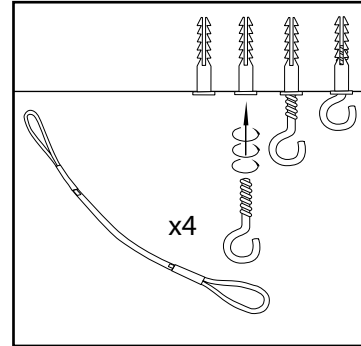


| BASMEL | LIGHTWALLTRAP | MELLOWCLOUD | MELLOWCLOUD DIF |

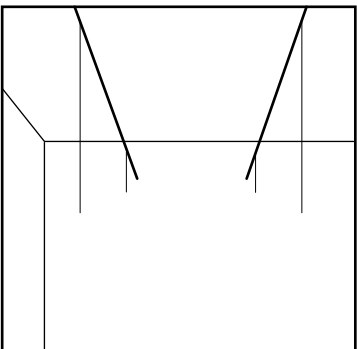
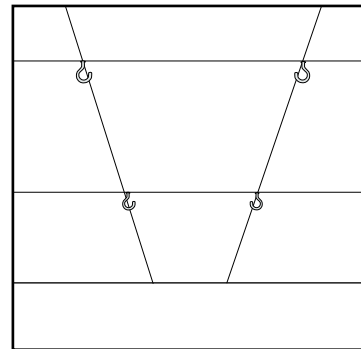
Read instructions in full prior to install and then choose one of these two mounting methods and apply it: Ceiling installation method can either be with horizontal suspension cables (left) installed on the walls; or suspension method directly from the ceiling using metallic hooks and wires (right);



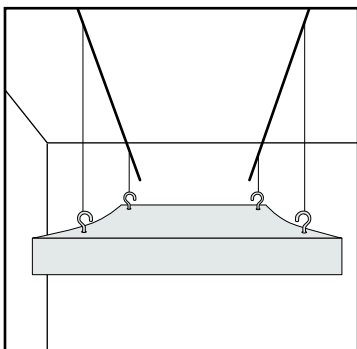
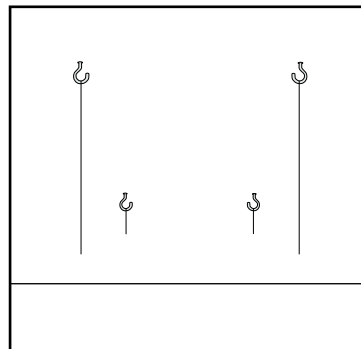
Accessories' kit; the product is supplied with the necessary accessories. Optionally suspension wires on the right are sold separately and can be made available upon demand. On the back of the panel, locate and measure included (cavities) mounting accessories distances.



Measure the ceiling and mark it as needed.
1st method: install suspension cables to the wall;
or
2nd method: install sleeves for the suspension metal hooks, Four (4) suspension points per panel are needed, do ensure their robust fixation prior to panel suspension.



1st method: From the horizontal suspension wires install vertical wires, or
2nd method: Suspend the wires from the ceiling hooks.
Optionally the hooks can be tightened to the vertical wires with a pliers tool.



Depending on the size of the panel 2 or 3 persons can be required to suspend it. Always ensure clean and gently handling as panel finishings can be fragile. Secure the wires to the hooks on the panel to suspend it. You will achieve this result.

